

PRODUCT CHANGE NOTICE

Date Submitted: 10 February 2017
 Model No.: DS3000TE-3, DS3000TE-3-001
 Product Description:
 Customer P/N: DS3000TE-3, DS3000TE-3-001
 Manufacturing Location(s) Affected: Laguna

Customer Info:
 Contact: Standard
 Title:
 Tel. No.:
 Fax No.:
 E-mail Address:



Reason(s) for Change: Update Primary FW to address Crest Factor and Line Sag requirements. Update Secondary FW to address some PMBUS related deviation from PMBUS specs. Change R761 to 0R to improve Current Sharing Accuracy

Description of Change(s):

- (1) Update Primary Firmware to turn ON and OFF within the specified range when input is clipped with Crest Factor from 1.1 to 1.4.
- (2) Update Primary Firmware to allow the PSU to operate without loss of power during a line sag from 220Vac (or higher) down to 150Vac for 500ms and then back to 220Vac (or higher).
- (3) Update Secondary Firmware to address below deviations from PMBUS specs.
 - a. OPERATION command to clear Fan Fault.
 - b. Fault should be cleared if AC is removed for at least 1sec.
 - c. Invalid data for Fan Command shall report CML error.
 - d. Faults are not reported intermittently.
- (4) Change R761 to 0R to improve Current Sharing Accuracy.

Affected Area

- Electrical
- Components
 - Functional Tests
 - EEPROM
 - EEPROM Verification
- Mechanical
- Metal Parts
 - Plastic Parts
 - Labels
 - Insulators
 - Others:
- Software
 - Firmware
 - Plug-In
 - Others

Impact of Change

- Form
- Fit
- Function
- Quality/Reliability
- Safety
- Tooling Cost: Est. Tooling Cost
- Schedule:
- No Impact to Above Items

Revision Changes

- Model Revision
- Customer P/N
- Customer P/N Revision
- EEPROM
- Repair – FRU
- CLEI Code
- ECI Code
- Others: BOM Revision

Comments:

Model Name	New Model Revision
DS3000TE-3	AX
DS3000TE-3-001	BB

DS3000TE-3 Firmware	New Firmware Revision
Primary	V05.07.00
Secondary	V01.04.00

DS3000TE-3-001 Firmware	New Firmware Revision
Primary	V05.07.00
Secondary	V01.04.00

Change Applicable to:

- Vendor - Change will be implemented on all parts that are still with vendor, either in-process or pending delivery. This type of change will affect POs that are pending receipt from vendor.
- Warehouse - Change will be implemented on parts that are in receiving, already in stock or are pending issuance to Production by Warehouse.
- Work-in-Process (WIP) - Change will be implemented on parts that are already issued to the assembly line, ongoing assembly or awaiting assembly, ongoing testing or awaiting testing.
- Finished Goods (FG) Change will be implemented on Finished Goods awaiting shipment to the customer.
- Customer Inventory - Change will be implemented on all units in transit to customer, received at customer, in customer warehouse or customer WIP. This applies only to units are still untouched by customer and in original condition "as-shipped" by Emerson. *BRMA is required*
- Field Units - Change will be implemented on all units physically integrated into customer products at customer FG, in HUBs or in transit to end-customer, at end- customer location or installed/operating in field application. *BRMA and customer field retrofit program is required*
- Returns for Repair - Change will be implemented on warranty returns from customer
- Not Applicable This will be a Phase In Change

Attachments

- | | | |
|---|--|--|
| <input checked="" type="checkbox"/> Qualification Results | <input type="checkbox"/> PCB Layout | <input type="checkbox"/> Deviation List |
| <input type="checkbox"/> BOM | <input type="checkbox"/> Source List / AVL | <input type="checkbox"/> Process Instructions |
| <input checked="" type="checkbox"/> Circuit Diagram | <input type="checkbox"/> Component Specs | <input checked="" type="checkbox"/> Others: Change details |
| <input type="checkbox"/> Customer Approval | | |

Requested by : Jan Michael Jimenez
Reviewed by : G. Arquillo

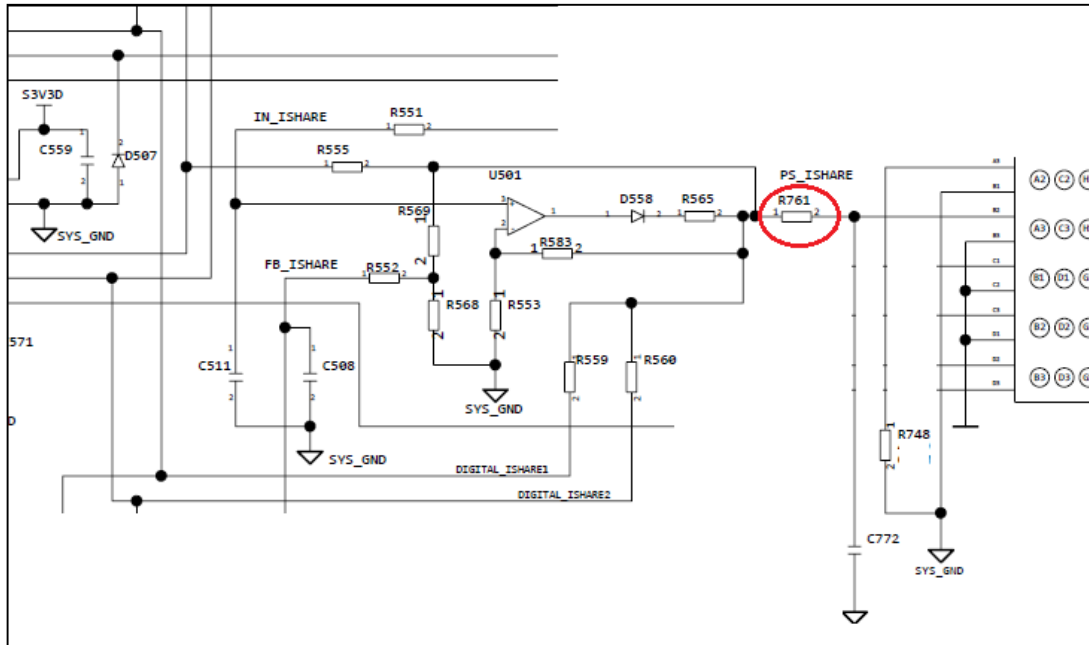
Date: 10 February 2017
Date:

IMPLEMENTATION DETAILS		
Date: 20 Feb 2017 Comments: For immediate implementation on new builds	Serial No.:	ECO No.:
TO BE FILLED IN BY THE CUSTOMER		
<input type="checkbox"/> Approved	Name:	
<input type="checkbox"/> Disapproved	Signature:	
<input type="checkbox"/> No action required (Notification only)	Title:	
	Company:	
	E-mail Address:	
	Tel. No.:	Fax No.:
	Date:	
Reason(s) for rejection or qualifying conditions for acceptance:		

Appendices:

1. Schematic Diagram of Affected Part
2. BOM change
3. Model Revision Change
4. Firmware Revision Change
5. Qualification Test Results

1. Schematic Diagram (R761)



2. BOM Change

A. For DS3000TE-3

Circuit Code		P/N	Description
R761	From	301-011706-1000	RES,DIS,TKF,100Ω,0.063W,1%,100ppm [TC],0402
	To	301-011706-0000	RES,DIS,TKF,0Ω,0.063W,1%,100ppm [TC],0402
SFTW1	From	630-003236-0001	SW,PRI,INTDEV, AC,DS3000TE-3-401-SP
	To	630-003236-0002	SW,PRI,INTDEV, AC,DS3000TE-3-401-SP
SFTW2	From	630-003726-0000	SW,SEC,INTDEV,DS3000TE-3 SERIES,DS3000TE-3
	To	630-003726-0001	SW,SEC,INTDEV,DS3000TE-3 SERIES,DS3000TE-3

B. For DS3000TE-3-001

Circuit Code		P/N	Description
R761	From	301-011706-1000	RES,DIS,TKF,100Ω,0.063W,1%,100ppm [TC],0402
	To	301-011706-0000	RES,DIS,TKF,0Ω,0.063W,1%,100ppm [TC],0402
SFTW1	From	630-003236-0001	SW,PRI,INTDEV, AC,DS3000TE-3-401-SP
	To	630-003236-0002	SW,PRI,INTDEV, AC,DS3000TE-3-401-SP
SFTW2	From	630-003727-0000	SW,SEC,INTDEV,DS3000TE-3 SERIES,DS3000TE-3-001
	To	630-003727-0001	SW,SEC,INTDEV,DS3000TE-3 SERIES,DS3000TE-3-001

3. Model Revision Change

Model Name	New Model Revision
DS3000TE-3	AX
DS3000TE-3-001	BB

4. Firmware Revision Change

DS3000TE-3	New Revision
Primary Firmware	V05.07.00
Secondary Firmware	V01.04.00

DS3000TE-3-001	New Revision
Primary Firmware	V05.07.00
Secondary Firmware	V01.04.00